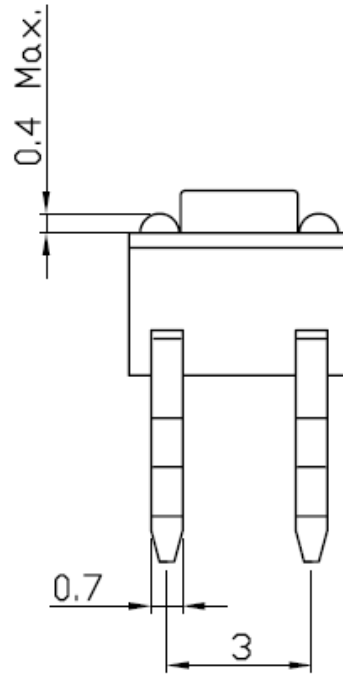
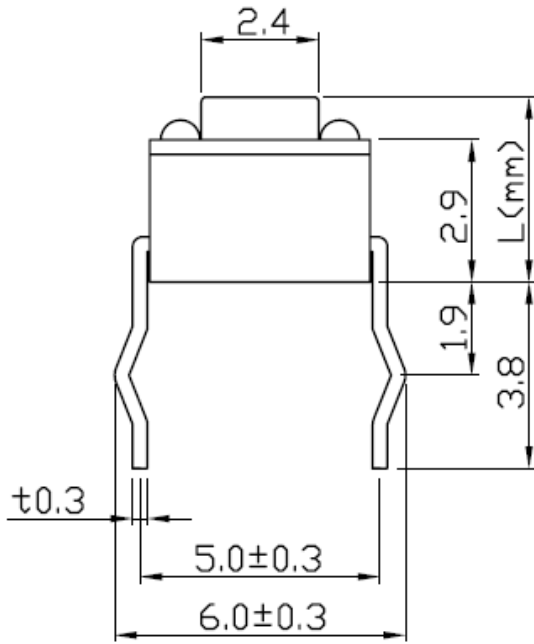
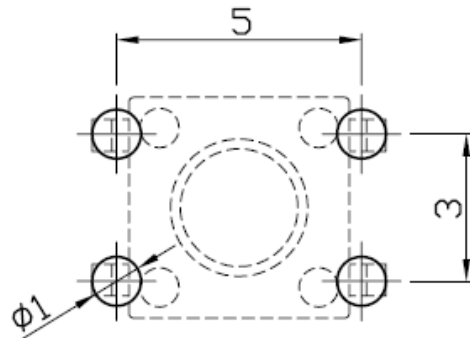
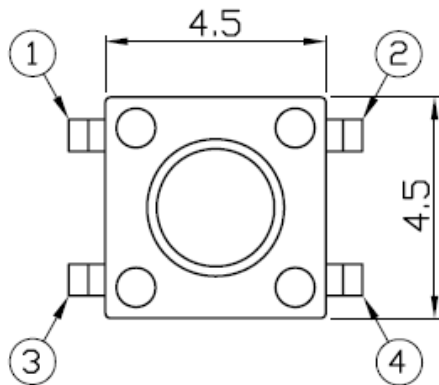


DIMENSIONS



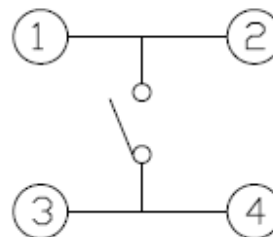
P.C.B MOUNTING PATTERN DIMENSION
The following soldering patterns are recommended for reflow soldering



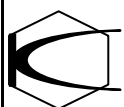
CIRCUIT DIAGRAM

SPECIFICATIONS

1. RATING : DC 12V, 50mA Max
2. CIRCUIT : 1C - 1P
3. OPERATING FORCE : N=160±30/R=250±50gf
4. CONTACTC RESISTANCE : 100mΩ Max
5. TRAVEL : 0.25 ± 0.1 mm
6. LIFE : 100,000 Cycles Min



C	7.0 mm
B	4.8 mm
L= A	3.8 mm



銓基電子股份有限公司
ROKI ELECTRONICS CO., LTD.

PART NAME : TACT SWITCH		SCALE :
PART NO : TS16-□□-PF SERIES		UNIT : mm
TOLERANCE : ±0.2 mm		VER : R01